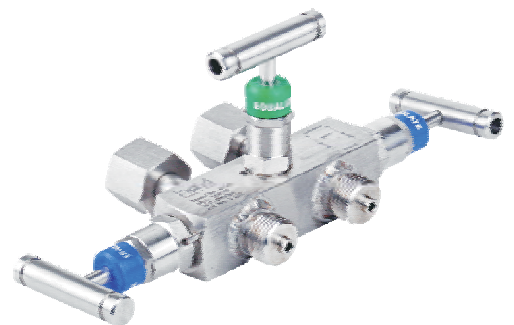




## 5 Valves Manifold



# Instrument Manifold Valves

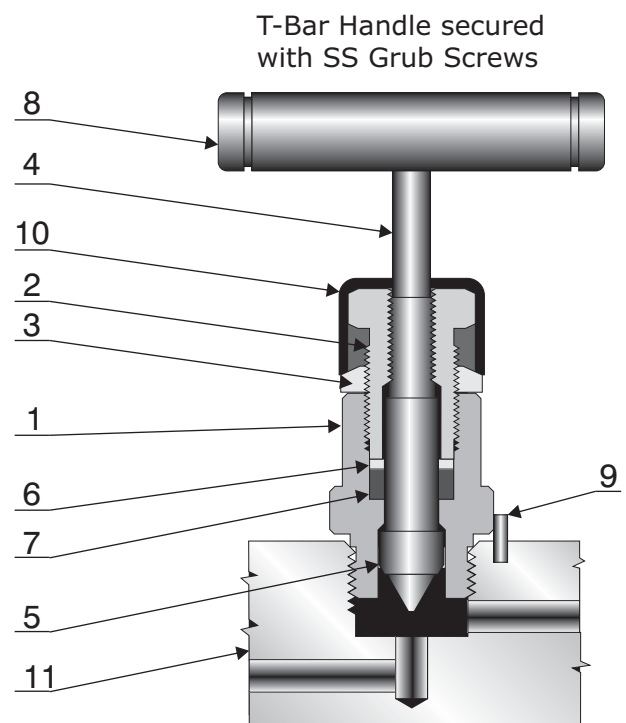
**M**anifold Valves of HAVI are designed and manufactured for multiple applications for Isolation, Bleed, calibration, testing of pressure instruments. These Valves comes in the configuration of 2 Valve, 3 Valve and 5 Valve. A series of Needle Valve are assembled and configured to achieve the planned flow. Various material options for Body and packings are available for different temperature applications. These valves are designed to provide an leak proof assembly and give 100% reliability.

## Features

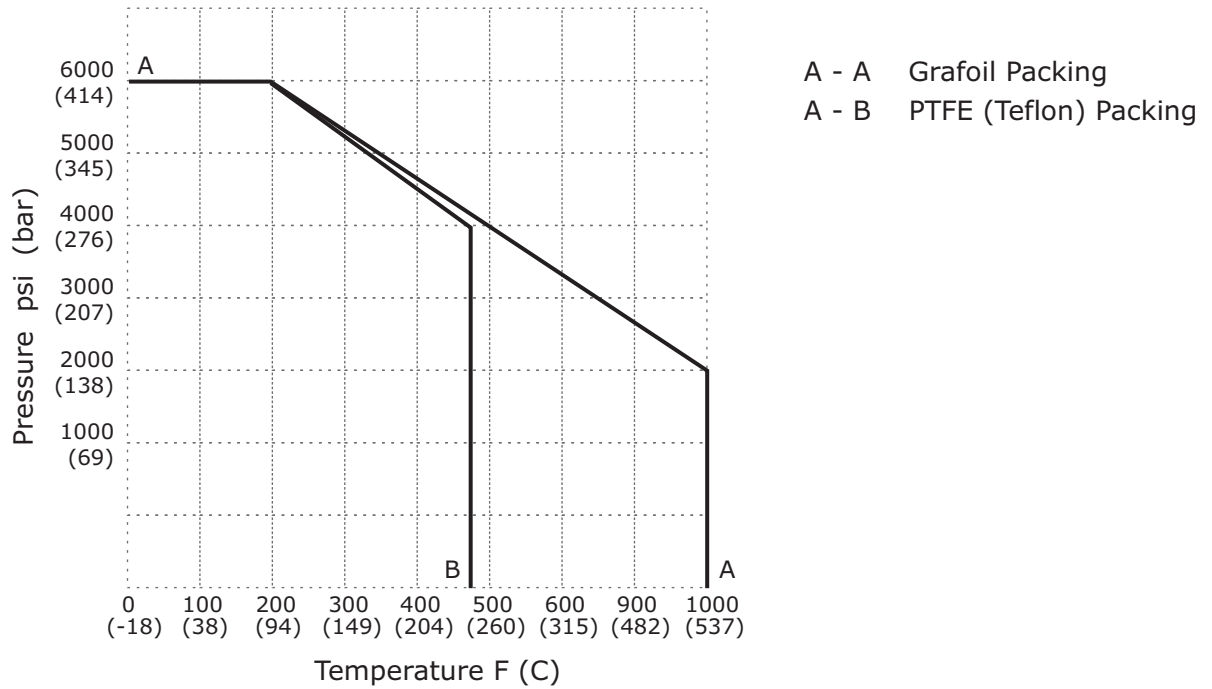
- Working Pressure of 6000 psig
- Non Rotating Vee type design to eliminate rotation between seat and tip
- Available in Straight, angle and Cross Pattern
- Stainless Steel Construction with options of packing for high temperature application
- Colour coded Dust Caps for identification of Valve type
- 100% factory Tested
- Valves tested in accordance with BS EN 12266-1 which was earlier BS 6755 Pt-1
- Metal to Metal Seating for constand compression
- Thread rolled and Burnished Stem
- Hardened Tip for extended Leak Proof Life

## Bonnet Design

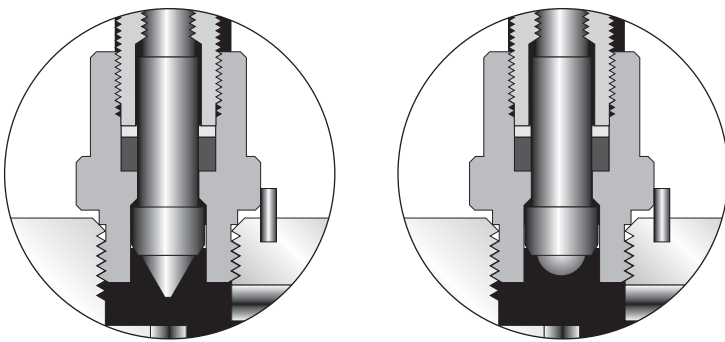
| Sl. No. | Description | Qty. | M.O.C            |
|---------|-------------|------|------------------|
| 1.      | Bonnet      | 1.   | A479-316 / A-105 |
| 2.      | Pusher      | 1.   | A479-316 / A-105 |
| 3.      | Check Nut   | 1.   | A479-316 / A-105 |
| 4.      | Spindle     | 1.   | A479-316 / A-105 |
| 5.      | Spindle Tip | 1.   | A479-316 / A-105 |
| 6.      | Washer      | 1.   | A479-316 / A-105 |
| 7.      | Packing     | 1.   | PTFE / Graphoil  |
| 8.      | T - Handle  | 1.   | A479-316 / A-105 |
| 9.      | Locking Pin | 1.   | A479-316 / A-105 |
| 10.     | Dust Cap    | 1.   | L.D.P.E          |
| 11.     | Body        | 1.   | A479-316 / A-105 |



## Pressure / Temperature Rating



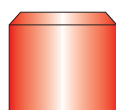
## Seat options available



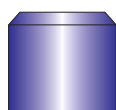
## End Connection options available

- Pipe Thread Connections
- weld Connection
- Tube Fitting Connection
- Socket Weld Connection

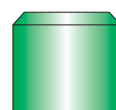
## Colour Coding of Dust Caps for Type of Valve



Red  
DRAIN



Blue  
ISOLATION

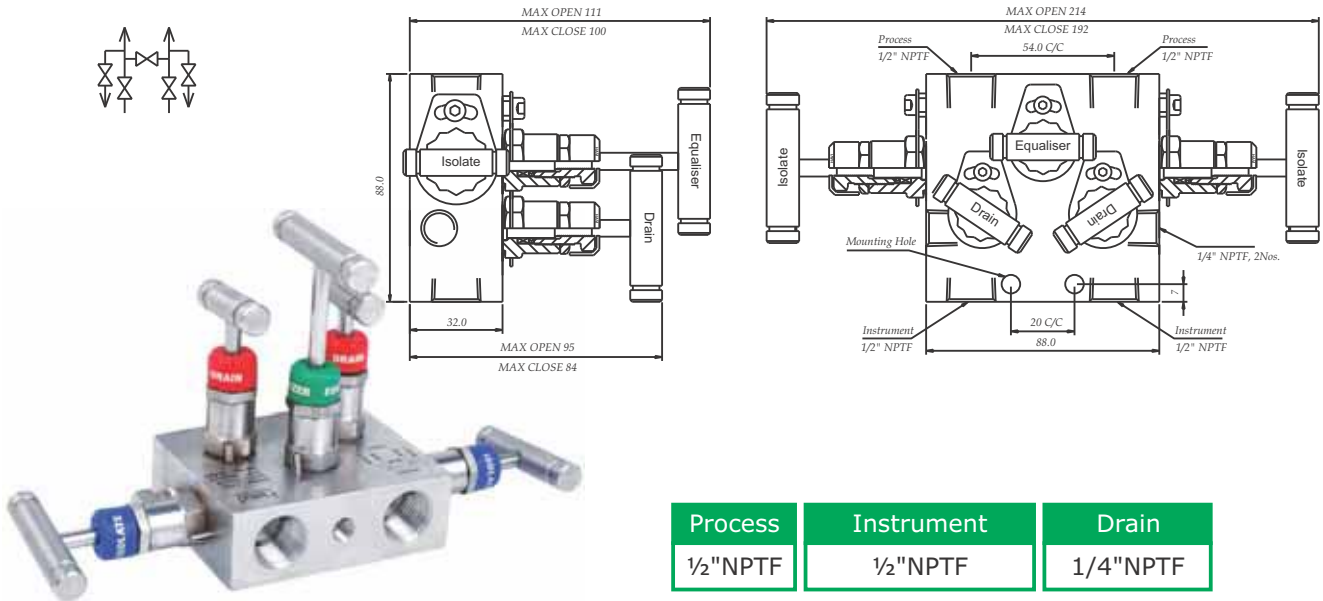


Green  
EQUALISING

# 5 Valve Instrument Manifold Valves Separately Mounted

## Model no. SV5A Separately Mounted 5 valve manifold

Pipe to Pipe design, Separately Mounted 5 Valve Manifold. This Valve has got 1/2"NPT female Connections at a centre distance of 54mm. It has got one equaliser valve and two Isolate Valve & two Drain Valve.



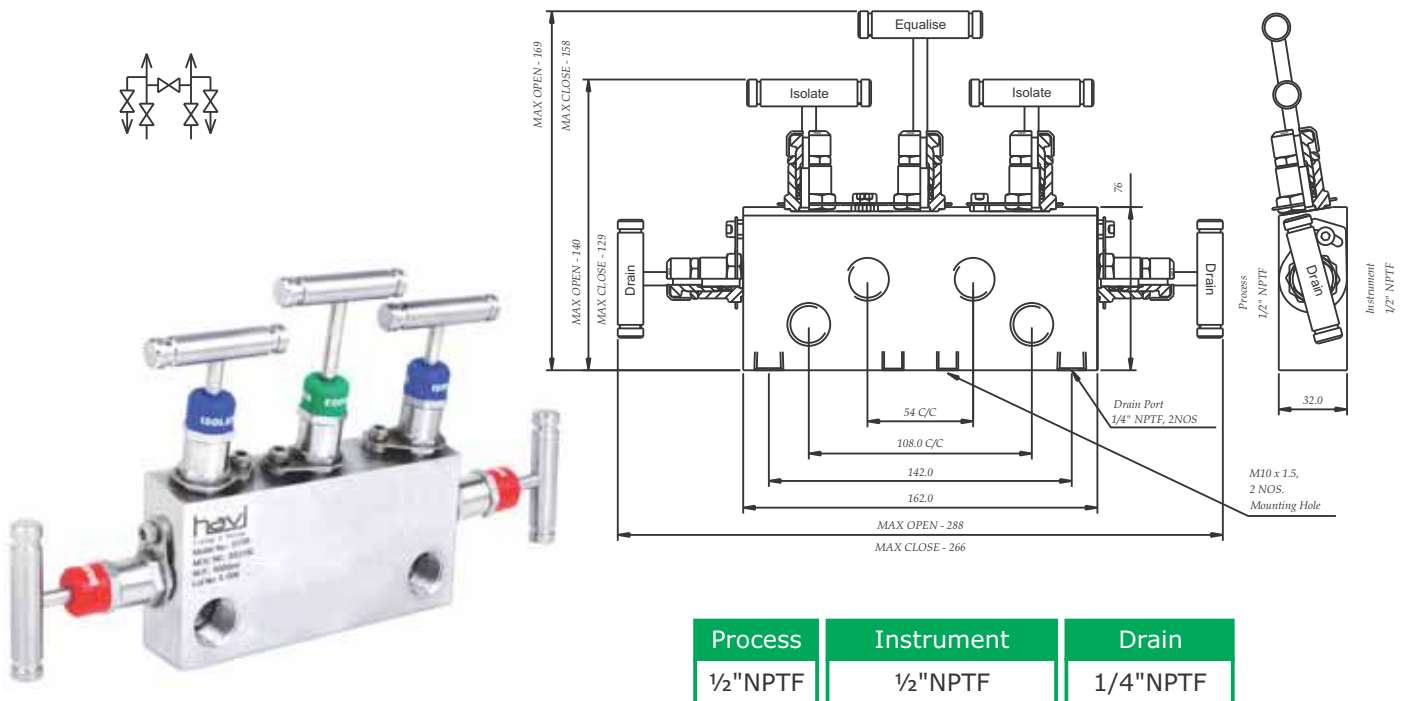
Technical drawing details for Model no. SV5A:

- MAX OPEN 111, MAX CLOSE 100
- MAX OPEN 95, MAX CLOSE 84
- MAX OPEN 214, MAX CLOSE 192
- Process 1/2" NPTF
- Instrument 1/2" NPTF
- Drain 1/4" NPTF, 2Nos.
- Equaliser
- Isolate
- Drain
- Mounting Hole
- Instrument 1/2" NPTF
- 20 C/C
- 88.0
- 1/4" NPTF, 2Nos.

| Process   | Instrument | Drain     |
|-----------|------------|-----------|
| 1/2" NPTF | 1/2" NPTF  | 1/4" NPTF |

## Model no. SV5B Separately Mounted 5 valve manifold

Pipe to Pipe design, Separately Mounted 5 Valve Manifold. This Valve has got 1/2"NPT female Connections at a centre distance of 54mm. It has got one equaliser valve and two Isolate Valve & two Drain Valve.



Technical drawing details for Model no. SV5B:

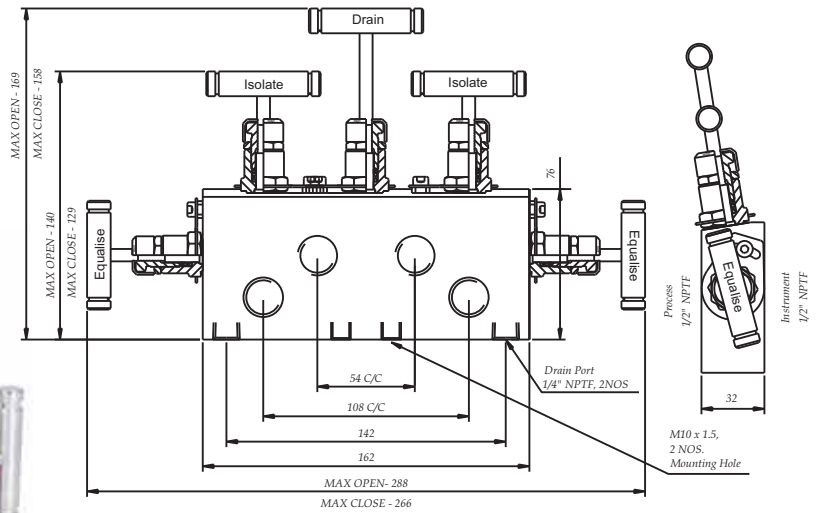
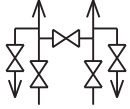
- MAX OPEN - 169, MAX CLOSE - 158
- MAX OPEN - 140, MAX CLOSE - 129
- MAX OPEN - 288, MAX CLOSE - 266
- Process 1/2" NPTF
- Instrument 1/2" NPTF
- Drain 1/4" NPTF, 2NOS
- Equalise
- Isolate
- Drain
- Drain Port 1/4" NPTF, 2NOS
- Mounting Hole
- M10 x 1.5, 2 NOS
- 76
- 54 C/C
- 108.0 C/C
- 142.0
- 162.0
- 32.0

| Process   | Instrument | Drain     |
|-----------|------------|-----------|
| 1/2" NPTF | 1/2" NPTF  | 1/4" NPTF |

# 5 Valve Instrument Manifold Valves Seperately Mounted

## Model no. SV5C Seperately Mounted 5 valve manifold

Pipe to Pipe design, Seperately Mounted 5 Valve Manifold. This Valve has got 1/2"NPT female Connections at a centre distance of 54mm. It has got one equaliser valve and two Isolate Valve & two Drain Valve.

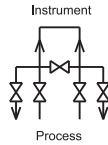
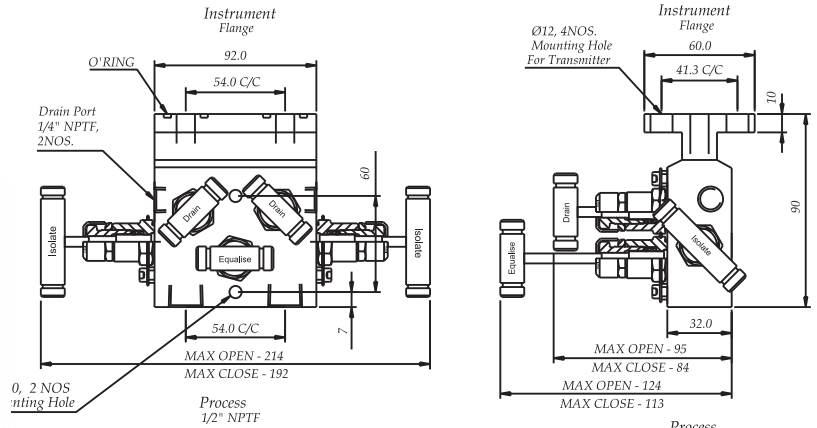


| Process   | Instrument | Drain     |
|-----------|------------|-----------|
| 1/2" NPTF | 1/2" NPTF  | 1/4" NPTF |

## 5 Valve Instrument Manifold Valves Separately Mounted

### Model no. TV5A Directly Mounted 5 valve manifold

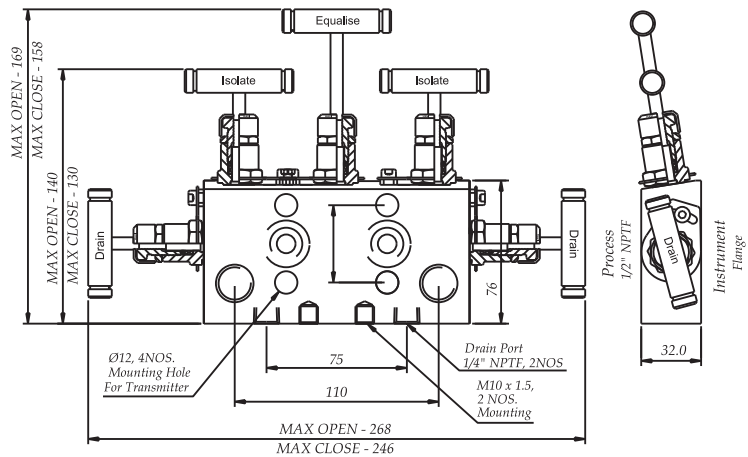
Pipe to Flange design, Directly Mounted 5 Valve Manifold. This Valve has got 1/2" NPT female Connections at a centre distance of 54mm. It has got one equaliser valve and two Isolate Valve & two Drain Valve.



| Process   | Instrument | Drain     |
|-----------|------------|-----------|
| 1/2" NPTF | Flange     | 1/4" NPTF |

### Model no. TV5B Directly Mounted 5 valve manifold

Pipe to Flange design, Directly Mounted 5 Valve Manifold. This Valve has got 1/2" NPT female Connections at a centre distance of 54mm. It has got one equaliser valve and two Isolate Valve & two Drain Valve.



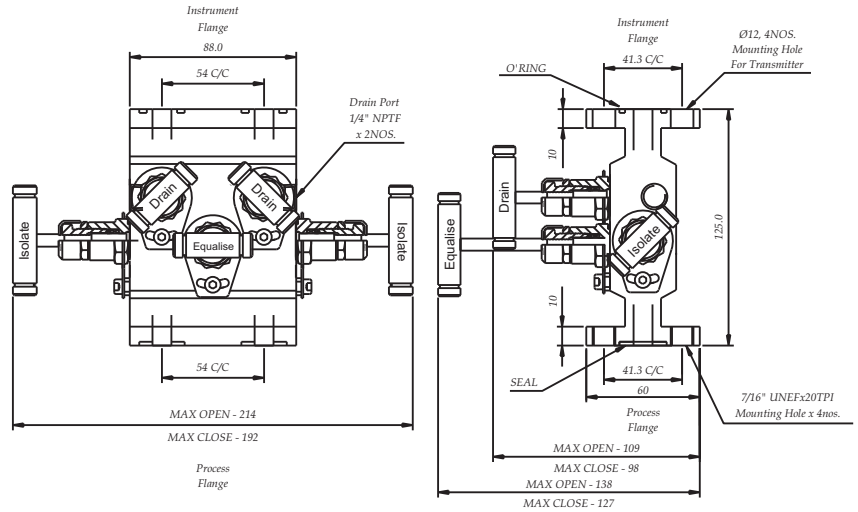
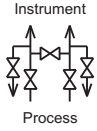
| Process   | Instrument | Drain     |
|-----------|------------|-----------|
| 1/2" NPTF | Flange     | 1/4" NPTF |

# 5 Valve Instrument Manifold Valves Directly Mounted



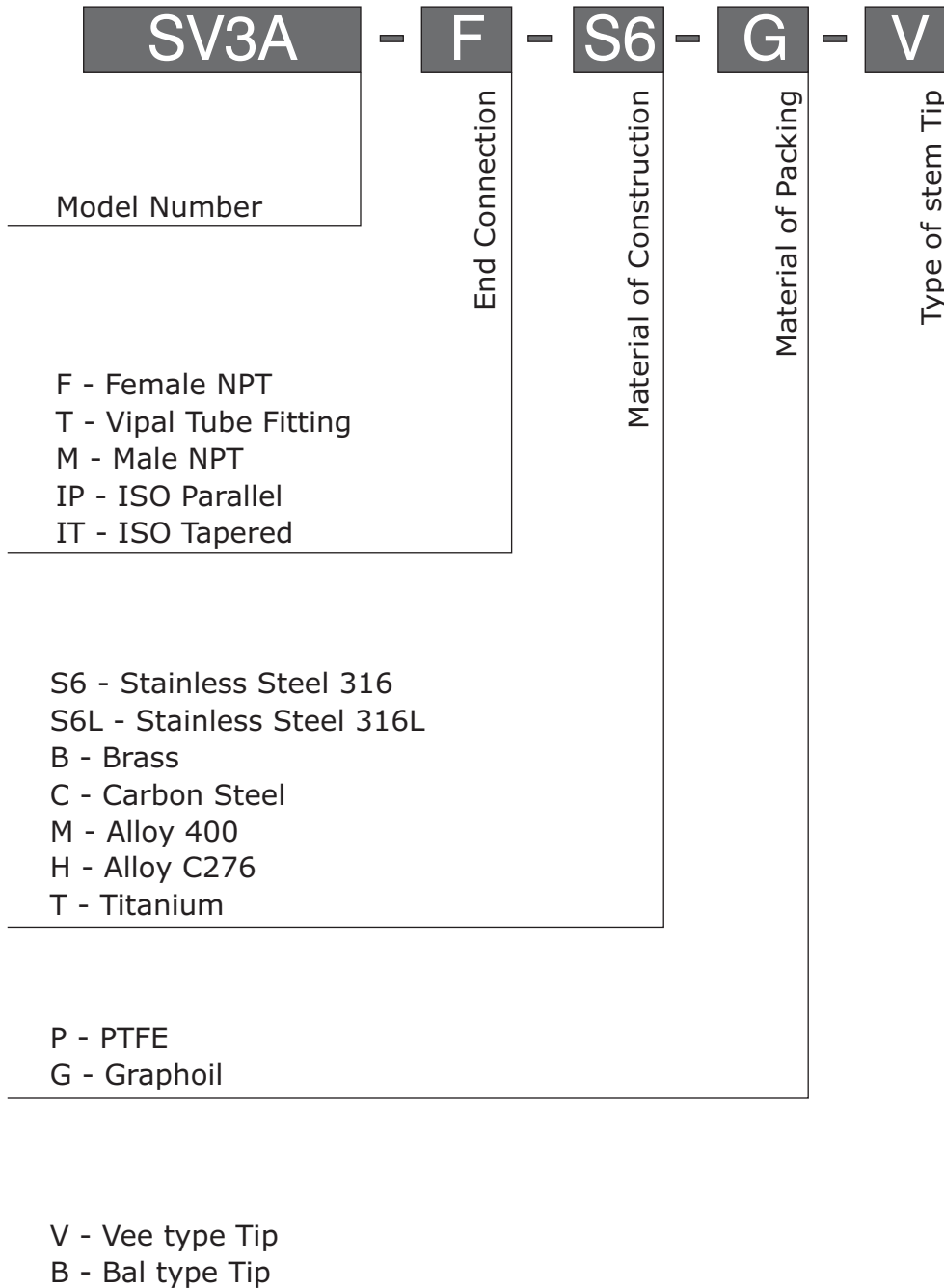
## Model no. TV5C Directly Mounted 5 valve manifold

Flange to Flange design, Directly Mounted 5 Valve Manifold. This Valve has got 1/2"NPT female Connections at a centre distance of 54mm. It has got one equaliser valve and two Isolate Valve & two Drain Valve.



| Process | Instrument | Drain    |
|---------|------------|----------|
| FLANGE  | FLANGE     | 1/4"NPTF |

## Ordering Information







Fittings & Valves

**vipal enterprises pvt. ltd.**

**Registered Office:**

302, Chandralok - A,  
97, Nepeansea Road,  
Mumbai 400006.

India

Tel.: +91 22 32656565

Email: sales@havi.in

**Works:**

32, 34, Blue Chip No.5 Industrial Estate,  
Opp Professional Courier,  
Sativali Road, Vasai (East),  
Thane 401208, Maharashtra,  
India

Tel.: +91 22 32656565

Fax: +91 250 3027271

Email: sales@havi.in

**Website: [www.havi.in](http://www.havi.in)**